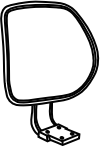


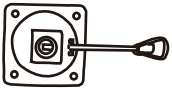


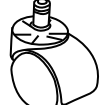
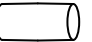
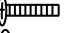

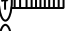
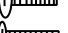




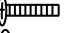

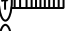
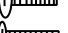




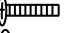

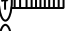
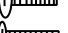







MODEL : B16605 B16606



(1)x1	(2)x1	(3)x1	(4)x1																				
 Back Cushion	 Seat Cushion	 Right & Left Arm	 Mechanism																				
(5)x1	(6)x1	(7)x5	(8)x1																				
 Gas Lift	 Base	 Caster	 TU009-EXT																				
(9)x1	<table style="width: 100%; border-collapse: collapse;"> <tbody> <tr> <td style="text-align: center;">(A)*6</td> <td style="text-align: center;"></td> <td style="text-align: center;"></td> <td style="text-align: left;">M6*30 Arm Screws</td> </tr> <tr> <td style="text-align: center;">(B)*2</td> <td style="text-align: center;"></td> <td></td> <td style="text-align: left;">M8*30 Mechanism Screws</td> </tr> <tr> <td style="text-align: center;">(C)*2</td> <td style="text-align: center;"></td> <td></td> <td style="text-align: left;">M8*22 Mechanism Screws</td> </tr> <tr> <td style="text-align: center;">(D)*2</td> <td style="text-align: center;"></td> <td style="text-align: center;"></td> <td style="text-align: left;">M6*30 Back Bar Screws</td> </tr> <tr> <td style="text-align: center;">(E)*2</td> <td style="text-align: center;"></td> <td style="text-align: center;"></td> <td style="text-align: left;">M6*36 Back Bar Screws</td> </tr> </tbody> </table>			(A)*6			M6*30 Arm Screws	(B)*2			M8*30 Mechanism Screws	(C)*2			M8*22 Mechanism Screws	(D)*2			M6*30 Back Bar Screws	(E)*2			M6*36 Back Bar Screws
(A)*6						M6*30 Arm Screws																	
(B)*2			M8*30 Mechanism Screws																				
(C)*2			M8*22 Mechanism Screws																				
(D)*2			M6*30 Back Bar Screws																				
(E)*2			M6*36 Back Bar Screws																				
 TU009																							

